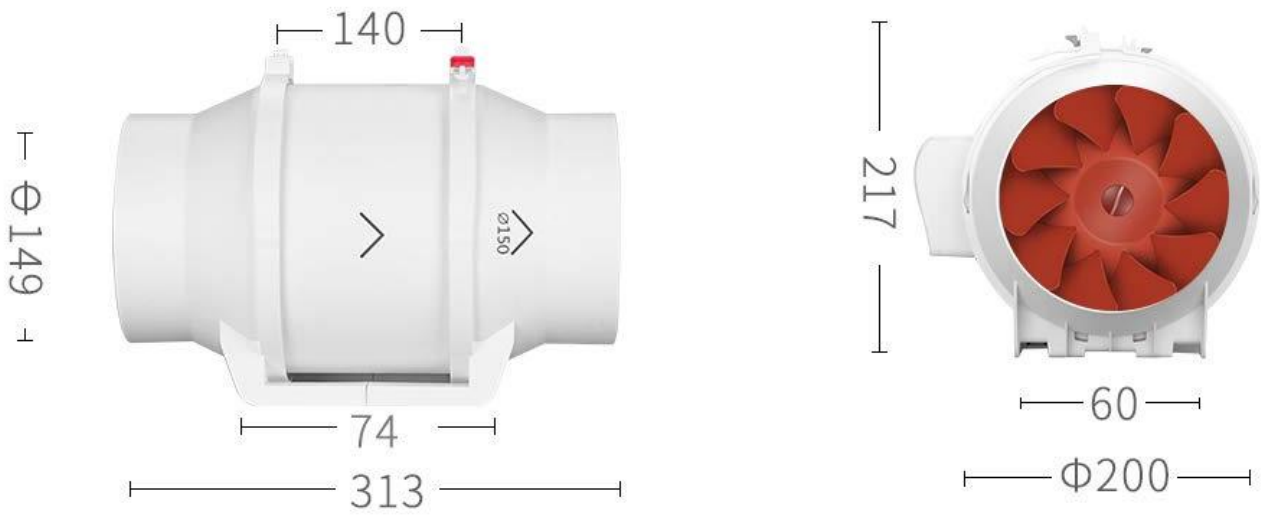




Model W150-01	Working Voltage (V) 110	Frequency(Hz) 60	Power(W) 42-51
Rotationl Speed(r/min) 1650-2600	Air Volume(m³/h) 340-550	Air Pressure(Pa) 230-340	Noise(dB) 29-33
Cable Length (M) 1.2	Speed Level 2	Net Weight(KG) 2.5	Diameter(mm) 150 (6 inch)

DIMENSIONS (Unit: mm)



Simple dipping system allows quick removal of fan for maintenance



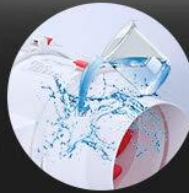
Mixed flow impeller design
High air flow & pressure



Two-level speed control motor with lubricated ballbearings



Japan NMB lubricated sealed bearings

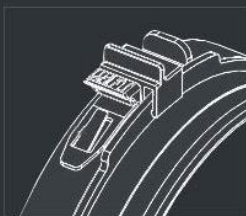


IPX4 waterproof, rain resistant for better motor protection

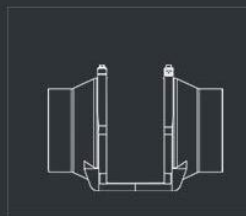


Corrosion resistant & Flameproof Plastic Material

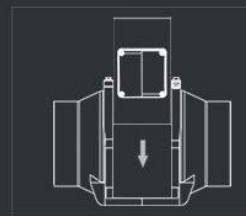
Easy to install



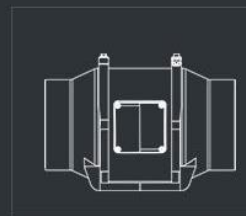
Unlock the mounting bracket & remove fan



Mounting bracket with supplied screws



Install the ductwork on the mounting bracket assembly



Replace the fan assembly and tighten the two flanges