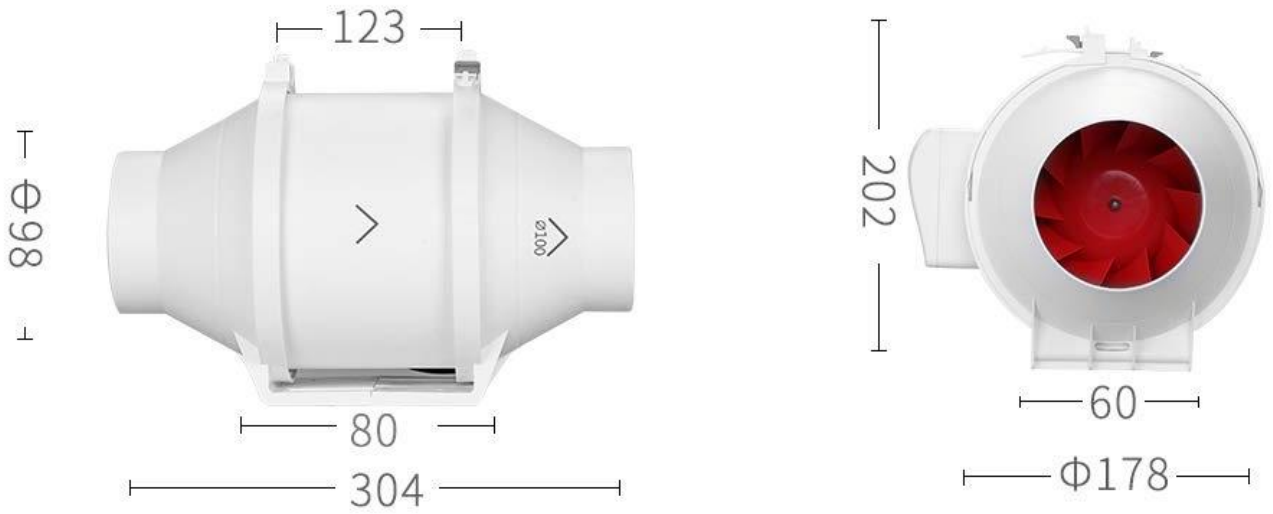




Model	Working Voltage (V)	Frequency(Hz)	Power(W)
W100-01	110-120 (US) 220-240 (AU)	60 (US) 50(AU)	25-30
Rotationl Speed(r/min)	Air Volume(m³/h)	Air Pressure(Pa)	Noise(dB)
1650-2450	188-280	93-205	26-31
Cable Length (M)	Speed Level	Net Weight(KG)	Diameter(mm)
1.2	2	1.7	98 (4 inch)

DIMENSIONS (Unit: mm)



Simple dipping system allows quick removal of fan for maintenance



Mixed flow impeller design
High air flow & pressure



Two-level speed control motor with lubricated ballbearings



Japan NMB lubricated sealed bearings

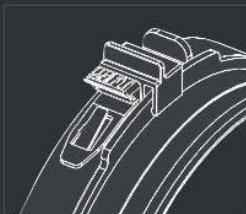


IPX4 waterproof, rain resistant for better motor protection

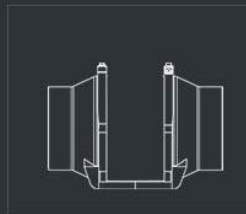


Corrosion resistant & Flameproof Plastic Material

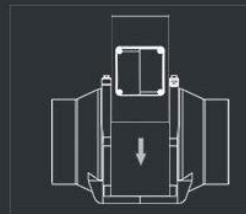
Easy to install



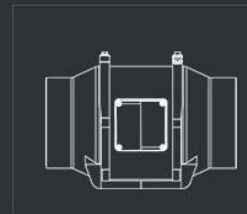
Unlock the mounting bracket & remove fan



Mounting bracket with supplied screws



Install the ductwork on the mounting bracket assembly



Replace the fan assembly and tighten the two flanges